

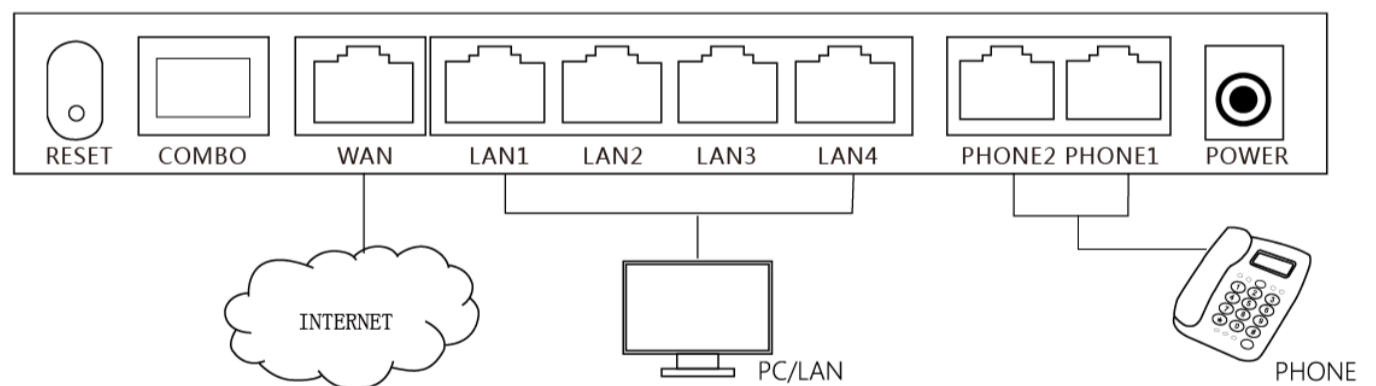
SFP GE Router with VoIP FWR7302



Feature Keys

- Support QoS
- 10/100/1000Mbps Ethernet
- 1 Combo SFP port
- Support 2.4GHz&5GHz Wi-Fi
- Real-time IP fax, T.38 and T.30

Hardware Interface



Overview

The Flyingvoice powerful VoIP Wireless Router FWR7302, FWR7302 includes extended functions which support SFP port, USB port, and 2 FXS ports. This design not only provide users with a conventional VoIP and routing capabilities. Users can also take FWR7302 as a FTP server to share LAN files, pictures and other resources. Meanwhile, SFP for internet access, 2 FXS ports can be well adapted to small and micro enterprises, 1FXS for telephone, 1FXS for Fax, no need to add additional equipment. FWR7302 VoIP wireless router is ideally suited for small and medium enterprises (SMB) to build wireless office.

FWR7302 supports IEEE802.11ac gigabit wireless LAN standard, the highest wireless speed is up to 867Mbps and it supports both 2.4GHz and 5GHz bands. For VoIP end user, 5G band can make sure less interference and the transmission quality. The more, users can enjoy greater bandwidth, and enhanced data throughput.

Technical Parameters

VoIP SoC	<ul style="list-style-type: none"> CPU:MIPS Single-core 600MHz
Flash	<ul style="list-style-type: none"> 16MB Flash
RAM	<ul style="list-style-type: none"> 128MB DDR2 RAM
Power	<ul style="list-style-type: none"> AC/DC Adapter AC Input: 100~240V, 50~60Hz DC Output: 12V, 2A
Operating System	<ul style="list-style-type: none"> Linux 2.6.36
I/O Interfaces	<ul style="list-style-type: none"> 1 RJ-45 for WAN Port (Ethernet 1000 Base-T) 4 RJ-45 for LAN Port (Ethernet 1000 Base-T) 2 RJ-11 for FXS Port 1 USB 2.0 Host Ports 1 Combo SFP port 1 SIM card port
Environmental	<ul style="list-style-type: none"> Operation Temperature: 0~50 Degree C Storage Temperature: -25~ 85 Degree C Relative Humidity: 10%~90% No Condensing
Audio Codec	<ul style="list-style-type: none"> G.711(A/u),PESQ>4.3 G.729AB,PESQ>3.7 Adaptive Jitter Buffer Management Voice Activity Detection Comfort Noise Generation Echo Cancellation T.30 FAX with G.711 Real time FAX over IP via T.38
LTE Features	<ul style="list-style-type: none"> Four-Band TDD-LTE B38/B39/B40/B41 Three-Band FDD-LTE B1/B3/B8 Dual-Band TD-SCDMA B34/B39 Dual-Band UMTS/HSDPA/HSPA+ B1/B8 GSM/GPRS/EDGE 900/1800 MHz Uplink up to 50Mbps Downlink up to 100Mbps 2G/3G fallback
Management	<ul style="list-style-type: none"> Firmware Upgrade Web Management Interface IVR-driven Management Interface Local and Remote Syslog (RFC3164) Auto Provisioning SNTP Time Synchronization Multi User Level SNMP v2 Telnet TR069 System Log: local log and remote log

Feature keys	<ul style="list-style-type: none"> • Support 1000Mbps HNAT • 2T2R 2.4G 802.11 b/g/n(300 Mbps) • 2T2R 5G 802.11ac (867Mbps) • Support VoIP FXS port with SIP and T.38 FAX • External Antenna for LTE and Wifi
SFP feature	<ul style="list-style-type: none"> • Speed: GE • Interface type: LC • Module spec: Single Module • Core: Double core& single core
Protocols	<ul style="list-style-type: none"> • SIP V2.0 (RFC 3261, 3262, 3263, 3264) • SDP (RFC2327) • RTP/RTCP (RFC823/903) • NAPTR for SIP URI lookup (RFC2915) • STUN (RFC2030) • ARP/RARP (RFC 826/903) • SNTP (RFC 2030) • DHCP/PPPoE • HTTP Server for Web Management • TFTP/HTTP for Auto Provisioning • Message Waiting Indicator (RFC3842) • DHCP Option Codes for SIP (RFC3361) • DNS/DNS SRV (RFC1706 and RFC 2782) • IEEE802.1Q VLAN/802.1p and IP DSCP
Applications	<ul style="list-style-type: none"> • Support LTE(just for FWR7302) • Support NAT mode and Bridge mode • Support DDNS • MAC address cloning • SIP proxy redundancy • NAT Traversal by STUN • Built-in Wired speed NAT Router • DHCP Server and Client • IP conflict detection • Port Forwarding, DMZ, SuperDMZ • 802.1Q VLAN/802.1p, DSCP, Rate Limiting • VPN(PPTP,L2TP, IPSec) Passthrough • SNTP • IGMPv2 • Firewall(SYN Flooding, IP Spoofing, Smurf Attack, Ping of Death, DoS)

Wireless	<ul style="list-style-type: none"> • 802.11 b/g/n support • 4 SSID • Static WEP(64/128bit) • Dynamic WEP(64/128bit) • AES(CCMP/TKIP) • MAC certification • WEP certification • WPA-PAK/WPA-PSK(2.0) • WPA/WPA2 • AP Isolation and MBSSID AP Isolation • WMM • WDS • WPS • Station list • Radius certification and billing • MAC Filter(different from wired MAC Filter)
Call Features	<ul style="list-style-type: none"> • 3-way conference • Call hold • Call forwarding • Call Transfer • Call waiting • Caller ID and CWCID • DTMF Relay: In-band, Out-band and SIP INFO • QoS Layer 3 • Call Log • CID/CWCID • Dial Plan • DTMF Mode: Inband, RFC2833 and SIP Info
Regulatory	<ul style="list-style-type: none"> • FCC Part 15 Class B approval • CE certification • RoHS compliance
SIZE And Weight	<ul style="list-style-type: none"> • 188mm(L)x155mm(W)x29mm(H) • 331g(N.W)

Place Order

Product Number	Description
FWR7302	1 WAN(GE) + 4 LAN(GE) + 2 FXS + 1 SFP + LTE + 2.4G(300Mbps) + 5G(867Mbps)
FWR8302	1 WAN(GE) + 4 LAN(GE) + 2 FXS + 1 SFP + 2.4G(300Mbps)
FWR9302	1 WAN(GE) + 4 LAN(GE) + 2 FXS + 1 SFP + 1 USB + 2.4G(300Mbps) + 5G(867Mbps)