

P10LTE

Entry-level office 4G LTE IP phone

Flyingvoice P10LTE entry-level office 4G LTE IP phone is equipped with a 2.3-inch 132*64px B&W LCD screen with backlight. It adopts a simple appearance design and button layout to provide users with a good visual experience. P10LTE phone integrates 4G LTE module, provides a card slot for external SIM card, allowing users to plug and play which can meet the use of LTE network frequency bands in multiple regions. It also supports 100M wired network access to meet the different network needs of corporate offices. In addition, P10LTE phone also supports HD voice, six-way conference, and is easy to install, meeting different application scenarios for desktop office and wall-mounted use.



Key Features



4G SIM card, Convenient Networking

P10LTE phone integrates LTE module inside, which supports full-duplex FDD, and can plug in a SIM card to make networking more convenient. With its 4G mobile network, it easily handles all kinds of network-less environments.



HD Voice, Better Calls

P10LTE phone supports Opus wideband audio codec, adopts advanced echo cancellation technology and intelligent noise cancellation technology to provide users with HD voice and achieve better voice call effect.



Easy Installation, Easy Deployment

P10LTE phone is combined with FRPS system and FACS platform for unified, fast and efficient batch deployment, which greatly reduces time and labor costs, and facilitates management, upgrade and maintenance.




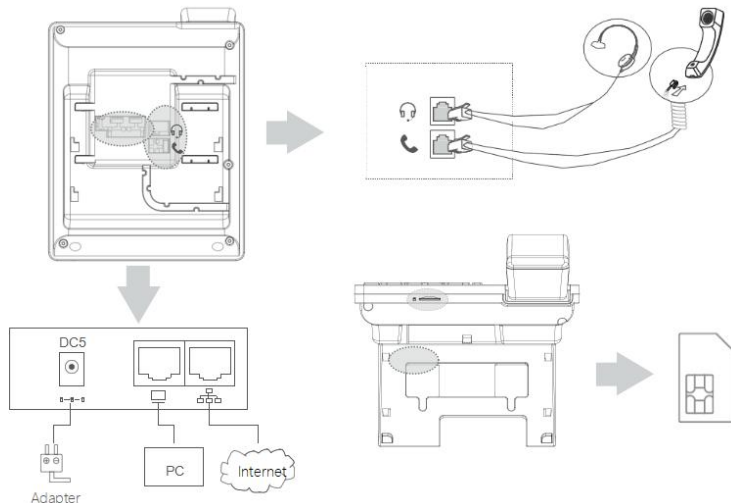
High security and compatibility

P10LTE phone uses SRTP and TLS call encryption technology to protect your call security well. They are widely compatible with SIP based devices and PBX platforms such as Broadsoft, Metaswitch and Yeastar, etc.

- 2.3" 132x64px B&W LCD
- 2 x 10/100 Mbps Ethernet ports
- 1 x SIM card slot (support LTE network)
- 6-Way audio conference
- 2 SIP accounts
- HD Voice
- Opus
- Support RJ9 headset
- Wall mountable

Place order			
Model	P10LTE NA	P10LTE SA	P10LTE CN
Module	EG95-NAX	EG915U-LA	EC800M-CN
Region	North America	South America	China / India
Category	Cat 4	Cat 1	Cat 1
Frequency Band	> LTE-FDD: B2/4/5/12/13/25/26; > WCDMA: B2/4/5	> LTE-FDD: B2/3/4/5/7/8/28/66 > GSM:2/3/5/8	> LTE-FDD:B1/3/5/8/34/38/39/40/41 > LTE-TDD:B34/38/39/40/41
GPSS (Optional)	> GPS/GLONASS/BDS/Galileo/QZSS	/	> GPS/BDS/GLONASS/Galileo
Transmission Rate (FDD)	> Uplink: 50 Mbps > Downlink: 150 Mbps	> Uplink: 5 Mbps > Downlink: 10 Mbps	> Uplink: 5 Mbps > Downlink: 10 Mbps
Certification	> FC / IC	> CE / RoHS / WEEE	> FCC/ CE/ RoHS/ Anatel
Phone Features			
LCD Screen	> 2.3" 132x64-pixel B/W LCD with an adjustable backlight > 16-bit depth color		
Function Keys	> 7 Function keys: message, headset, transfer, mute, redial, hands-free speakerphone, record > 4 Soft keys, 4 navigate keys, volume+/-		
SIP Accounts	> 2 SIP accounts		
Ethernet Ports	> 2*10/100M (Adaptive)		
Other Ports	> 1 x handset port, 1 x RJ9 headset port		
SIM card slot	> 1		
Call Features			
Basic Function	> Call hold, mute, DND, redial, auto answer, one-touch speed dial, hotline, SMS, call forward, call waiting, call transfer (attended/blind), Paging, voice mail, anonymous call, anonymous call rejection, message waiting indicator (MWI)		
Direct IP Call	> Supported		
Phonebook	> 2000 records; phonebook search/import/export; XML/LDAP remote phonebook; black list		
Call History	> 60 records; call history: all/missed/dialed/received		
6-Way Conference	> Supported		
Audio Features			
HD Voice	> HD handset, HD speaker		
Audio Codec	> G.722, Opus, AMR-WB(Optional), G.711WB(Optional), G.711(A/u), iLBC, G.729A/B, G.723, G.723.1, G.726, AMR-NB(Optional)		
DTMF	> In-band, RFC 2833, SIP info		

Network	
Network Safety	<ul style="list-style-type: none"> > SIP Related Features: <ul style="list-style-type: none"> - SIP v1 (RFC2543), v2 (RFC3261), NAT Traversal by STUN - SIP link mode: Proxy mode and peer-to-peer SIP link mode - Call server redundancy supported > Network Features: <ul style="list-style-type: none"> - Static IP and DHCP, IPv4 /IPv6, Dual stack IPv4/IPv6, ARP/RARP, DNS A/DNS SRV/DNS NAPTR - LLDP/CDP/DHCP VLAN; IEEE802.1X; OpenVPN; DSCP, 802.1p QoS; SSL; SSH > Time and Date Synchronization: SNTP, PBX, DHCP > Transport: UDP/TCP/TLS; RTP/RTCP/SRTP
Configuration & Maintenance	
Auto-Provision	<ul style="list-style-type: none"> > TR069 (TR104/TR106) > FTP/TFTP/HTTP/HTTPS for Auto Provisioning > Cloud device management: FACS > Cloud device management: FRPS > DHCP Option66
Configuration	<ul style="list-style-type: none"> > Supports web configuration > Factory reset, reboot > Packet capture, system log
Others	
Details	<ul style="list-style-type: none"> > New stand, wall mountable > AC/DC adapter, AC input: 100~240V, 50~60Hz > DC Output: 5V, 1A > Power consumption (PSU): 0.83~2.77W > Storage temperature: -25~ 70°C > Operation temperature:0~45°C > Dimension (W x D x H): 200mm x 165mm x 47mm
Package Content	
Details	<ul style="list-style-type: none"> > Packing List: <ul style="list-style-type: none"> - Flyingvoice P11LTE, power adapter - Handset with handset cord, Ethernet cable, stand - Quick Installation Guide > Size: <ul style="list-style-type: none"> - Qty/CTN: 10 PCS, N.W/CTN: 7.5 kg, G.W/CTN: 9.47 kg - Giftbox size: 288mm x 217mm x 60mm - Carton size: 448mm x 320mm x 302mm
Certification & Compatibility	
Compatible with	





About Flyingvoice

Flyingvoice is a leading manufacturer of VoIP phones, VoIP adapters and VoIP routers, which are widely used throughout the world and highly praised by international carriers, ITSP, ISP and company users.

Driven by ongoing innovation of VoWLAN, Flyingvoice is committed to making easier VoIP products by enabling the enterprise network and united communication. Our people are continuously improving our products and expanding product applications tailored to client's requirements, which make you collaborate securely, effectively and efficiently – anytime & anywhere.

Copyright

Copyright © Flyingvoice Network Technology Co., Ltd. All rights reserved. No parts of this publication may be reproduced or transmitted in any form or by any means, electronic or mechanical, photocopying, recording, or otherwise, for any purpose, without the express written permission of Flyingvoice Network Technology Co., Ltd.

Technical Support

Visit www.flyingvoice.com for product documents and FAQ, or contact Flyingvoice by email at support@flyingvoice.com. We'll get you the help you need.



Flyingvoice Network Technology Co., Ltd. Website:

Web: www.flyingvoice.com

Add: 1801-1802, Building 1, Chongwen Park, Nanshan Zhiyuan, Nanshan District, Shenzhen, China

Copyright© Flyingvoice Network Technology Co., Ltd. All Rights Reserved